

## Specifications

MODEL	DK4510(N)	DK4510(N)HS	DK5010(N)	DK5010(N)HS	DK5510(N)	DK5510(N)HS
<b>ENGINE</b>						
Model	4B243LWL-E1		4B243LWL-E		3FT-TL4-E	
Type	4 Cyl., In-line Vertical, Water-cooled 4-cycle Diesel				3 Cyl., In-line Vertical, Water-cooled 4-cycle Turbo Diesel, CRDI	
Engine Gross	HP(KW)	45(33.6)	49(36.5)		55(41.0)	
PTO	HP(KW)	37.6 (28.0)	40.9 (30.5)		48 (35.8)	
Displacement	cc(cu in.)	2,435			1,826	
Rated Revolution	rpm	2600				
Fuel Tank Capacity	us gal(ℓ)	45(11.9)				
<b>DRIVE TRAIN</b>						
Clutch	Dry type single stage					
Transmission	Synchronized	H-Shuttle	Synchronized	H-Shuttle	Synchronized	H-Shuttle
Speeds	16X16					
Differential Lock	Rear standard					
Brake	Wet Muti Disc					
PTO	Independent					
Rear PTO (standard)	rpm	540/540E				
4WD type	Mechanical					
<b>HYDRAULIC SYSTEM</b>						
Pump	Gear					
Pump Capacity(Max. flow rate)	lpm(gpm)	14.5 (55.1)				
3-Point Hitch	Category I			Category II		
Maximum lifting capacity(24" aft. of hitch)	kg.f(lbs)	2,716 (1,232)				
Hydraulic Lift Control System	Position , Draft					
No. of standard remote valves	Std.					
Steering	Hydrostatic Power Steering					
<b>TIRE SIZE</b>						
Front AG.(TURF, INDUSTRIAL)	8-16, 12.4-24					
Rear AG.(TURF, INDUSTRIAL)	8-16, 12.4-24					
<b>TRAVELING SPEEDS</b>						
Forward	km/h	0.34 - 32.5				
Reverse	km/h	0.33 - 31.6				
<b>DIMENSIONS</b>						
Overall Length(includes 3-pt hitch)	mm(inch)	3,157(124.3)			3,170(124.8)	
Overall Width(minimum tread)	mm(inch)	1,500(59.0) / Narrow: 1,410(55.5)				
Overall Height	mm(inch)	2,430(95.7) / Narrow: 2,233(87.9)				
Wheelbase	mm(inch)	1,810(71.3)				
Min. Ground Clearance	mm(inch)	388(15.3)				
Tread	Front(AG)	mm(inch)	1,284(50.6) / Narrow: 1,164(45.8)			
	Rear(AG)	mm(inch)	1,251(49.3) / Narrow: 1,141(44.9)			
Min. Turning Radius(with brake)	mm(inch)	2,630(103.5) / Narrow: 3,420(134.6)				
Weight with AG. Tires	kg.f	1,570			1,581	

\*NOTE : Specifications and design are subject to change without notice.



פארק תעשיות עמק חפר  
ת.ד. 12097 מיקוד 3877701  
ט ל . 04-6225591  
פ ק ס . 04-6225579  
www.cla.co.il

צלע  
CLA  
מחלקת ציוד חקלאי

KIOTI TRACTOR  
**DK**  
10 SERIES



KIOTI  
run ahead of the pack



### Eco-Friendly Diesel Engine

The new Common Rail Diesel Engine (CRDI) improves fuel efficiency while reducing noise levels. With this eco-friendly Tier 4 engine, the DK series offers the operator a quiet work environment with powerful performance.



### Power & Tilt Steering

The standard power steering minimize the effort required to make tight, repetitive turns. The steering wheel tilts with the simple push of lever, allowing easy adjustment to fit the operator needs.



### H-shuttle

With the H-Shuttle option you can shift without using a clutch, reducing operator fatigue

### Tool Box

A conveniently located tool box behind the seat provides the storage you need.

### Fender Grip

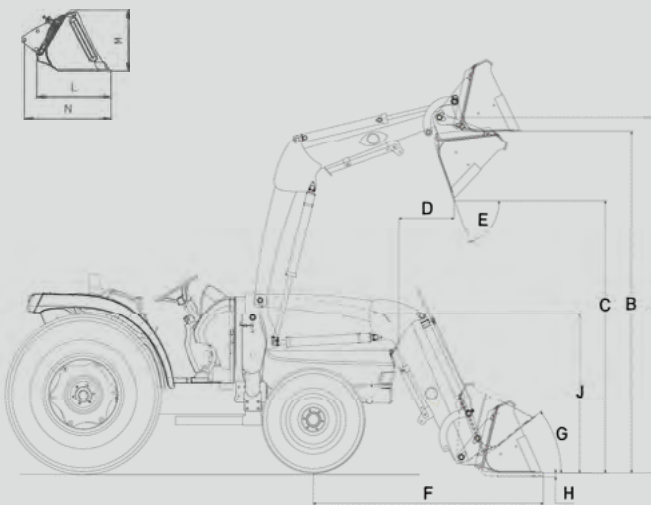
The fender grip, available on both sides, makes it easier get in and out of the tractor.

KIOTI  
DK4510  
DK5010  
DK5510



### Front End Loader

The KIOTI KL5510 front end loader is specifically designed for the DK-10 series tractors, providing efficient performance with single lever joystick control. The KIOTI loader, with a built in parking stand, is designed to be quickly and easily attached and detached. KL Series loaders utilize the tractor's hydraulic system, feature single-lever control with float and come with a bucket level indicator.



### Loader Specifications

Model	KL5510
A. Maximum Lift Height	109 in (2,768 mm)
B. Clearance w/ Attachment Level	96.4 in (2,449 mm)
C. Clearance w/ Attachment Dumped	81.7 in (2,075 mm)
D. Reach at Maximum Height(45°)	18.1 in (460 mm)
E. Maximum Dump Angle	58 °
F. Reach w/ Attachment on Ground	70.9 in (1,800 mm)
G. Maximum Rollback Angle	38.9 °
H. Digging Depth Below Grade	9.1 in (231 mm)
J. Overall Height in Carry Position	57.7 in (1,465 mm)
L. Depth of Attachment (to back of inner shell)	18.4 in (467 mm)
M. Height of Attachment	22.0 in (560 mm)
N. Depth of Attachment (to pivot pin)	26.0 in (660 mm)
S. Lift Capacity to Full Height at Pivot Pins	2,660 lbs (1,207 kg)
T. Breakout Force at Pivot Pin	3,900 lbs (1,769 kg)
Lift Cylinders	Ø2.2X10.2 in ( Ø65X463l)
Bucket Cylinder	Ø2.4X14.6 in ( Ø60X370l)
Bucket Width	66 in / 72 in
Bucket Weight	267.3 lbs (121.5 kg)
Approx. Weight (without Bucket)	1,386 lbs (58.5 kg)
Bucket Capacity (Heaped Bucket Capacity)	66 in : 9.5 cu.ft (14.5cu.ft) 72 in : 10.2 cu.ft (16.0cu.ft)

\*Specifications and design are subject to change without notification.

### Digital Dashboard

The digital dashboard ensures great visibility while working in bright daylight or at night.

### Controls

Control buttons and shift lever are conveniently located.

